

DUMONT

First with the Finest in Television

**POWER SUPPLY
SCHEMATIC DIAGRAMS
for
TELESET MODELS**

RA-105B

SUSSEX

RA-108A

**BRADFORD
MANSFIELD**

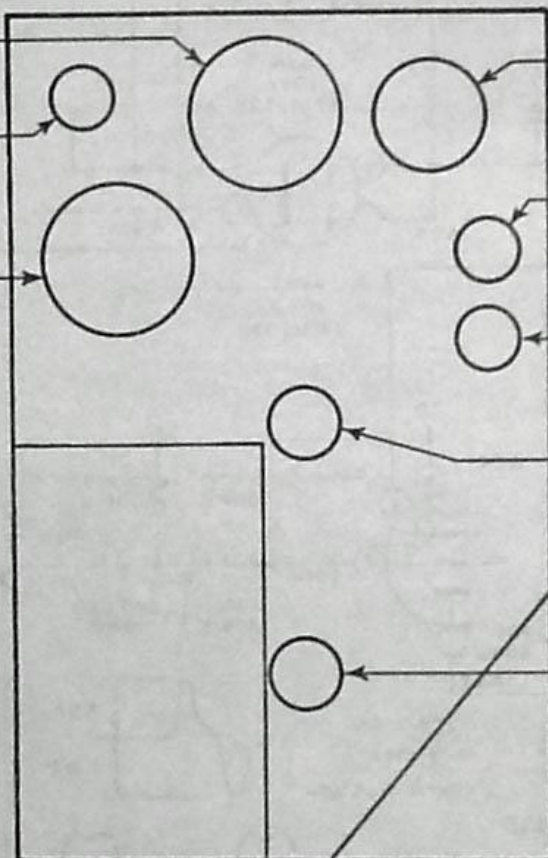
**ALLEN B. DU MONT LABORATORIES, INC.
TELESET SERVICE CONTROL DEPT.
MARKET STREET, EAST PATERSON, NEW JERSEY**

**NOT TO BE REPRODUCED WITHOUT THE CON-
SENT OF ALLEN B. DU MONT LABORATORIES, INC.**

V-705 6AS7/G
DAMPER

V-701 12AU7
HOR. SAW MAKER
& RELAY CONTROL

V-702 6BG6/G
HOR. SWEEP AMP.



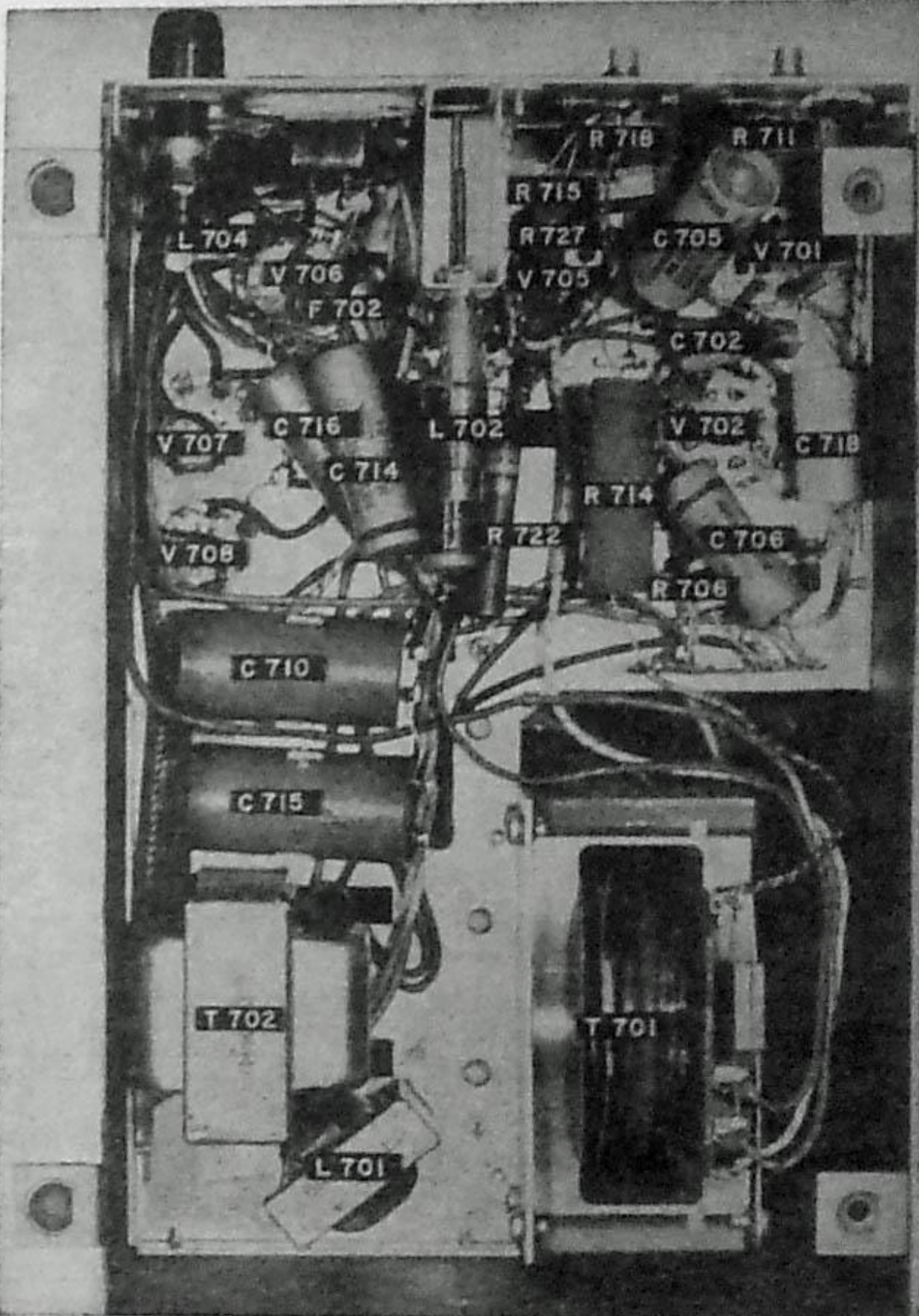
V-706 5V4/G
DAMPER

V-707 6X4
RECTIFIER

V-708 6X4
RECTIFIER

V-704 1B3/GT
H.V. RECTIFIER

V-703 1B3/GT
H.V. RECTIFIER



L 704

V 706

F 702

V 707

C 716

C 714

V 708

C 710

C 715

T 702

L 701

R 718

R 711

R 715

R 727

C 705

V 701

V 705

C 702

V 702

C 718

R 714

R 722

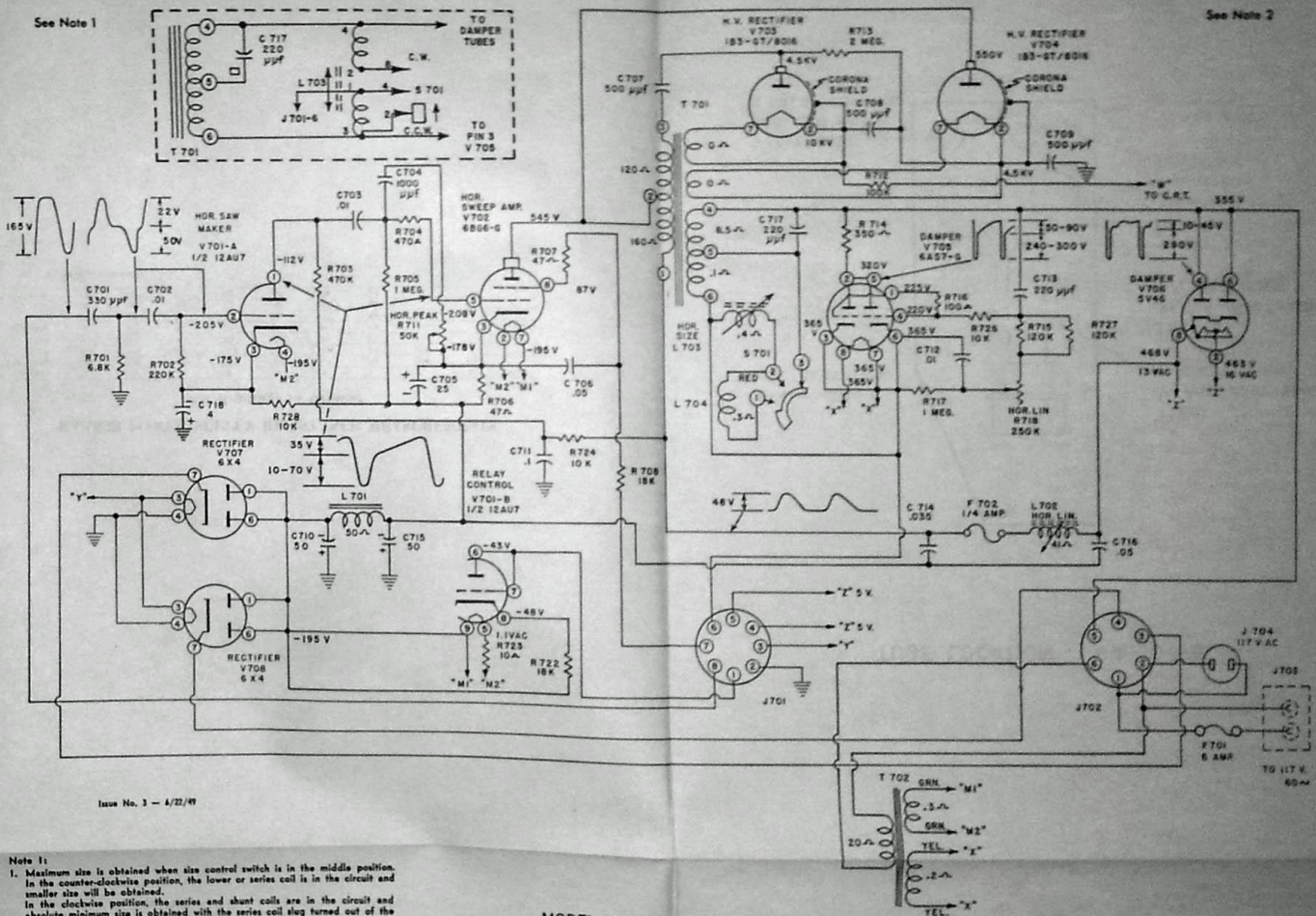
C 706

R 706

T 701

See Note 1

See Note 2



Issue No. 3 - 4/22/49

Note 1:

1. Maximum size is obtained when size control switch is in the middle position. In the counter-clockwise position, the lower or series coil is in the circuit and smaller size will be obtained. In the clockwise position, the series and shunt coils are in the circuit and absolute minimum size is obtained with the series coil slug turned out of the coil form.
2. A large number "2" stamped on the rear of the power supply of a set identifies it as having this change.

MODEL RA-108-A TELESET FLYBACK POWER SUPPLY CHASSIS

Note 2

The upper portion of the waveforms in the plate circuits of V705 and V706 are subject to variation between sets.

POWER SUPPLY PARTS LIST RA-108A

Date of Issue 7/29/49

Abbreviations used:

C Cap Ce	Composition Capacitor Ceramic	E Elec F	Electrolytic Electronic Fixed	Pa Res W	Paper Resistor Wire Wound
----------------	-------------------------------------	----------------	-------------------------------------	----------------	---------------------------------

Unless otherwise stated, the tolerance shown is plus and minus of the indicated value. Where two or more part numbers are shown, the second and third numbers, if any, are alternate parts.

Symbol No.	Part No.	Description	Symbol No.	Part No.	Description
CT01	02021250	Cap M 500 mmf 10% 500V	R718	01007630	Res V C 250K 5% 1W
CT02	02021450	Cap Pa .01 mf 25% 400V	R722	02030750	Res F C 15K 5% 1W
CT03	02021250	Cap Pa .01 mf 25% 400V	R723	02031180	Res F C 10 ohms 10% 1/4W
CT04	02020600	Cap M 1000 mmf 10% 500V		02031530	
CT05	02020600	Cap E 10 mf 50V	R724	02041890	Res F C 15K 10% 1/4W
CT06	02013370	Cap Pa .05 mf 25% 500V		02041890	
CT07	02014410	Cap Ce 500 mmf 10 KV		02051890	
CT08	Same as CT07		R726	Same as R724	
CT09	Same as CT07		R727	02030020	Res F C 150K 10% 1W
CT10	02014220	Cap E 50 mf 250V	R728	Same as R724	
CT11	02011840	Cap Pa .1 mf 25% 400V	V701	05002981	Switch 3 position
CT12	02023060	Cap M 10000 mmf 20% 500V	T701	20004361	Trans Hor Output
CT13	02020260	Cap M 220 mmf 10% 500V	T702	20004341	Trans Filament
CT14	02014060	Cap Pa .025 mf 10% 1000V	V701	25000180	Tube elec 12AU7
CT15	Same as CT10		V702	25000140	Tube elec 6DG6 G
CT16	02014270	Cap Pa .05 mf 10% 1000V	V703	25000150	Tube elec 1B3 GT/8015
CT17	02010940	Cap F M 220 mmf 2000V	V704	Same as V702	
CT18	02017040	Cap F E 4 mf 250V	V705	25000290	Tube elec 6AS7 G
F701	11000200	Fuse Cart 5 amp 250V	V706	25000160	Tube elec 5V4G
F702	11001100	Fuse 1/4 amp 250V	V707	25000170	Tube elec 6X4
L701	21004721	Choke filter	V708	Same as V707	
L702	21004701	Inductor Variable		02000500	Connector male 2 contact
L703	21004711	Inductor Hor Size		02004490	Connector female 2 contact
L704	21004703	Inductor Hor Size		11000550	Holder fuse
R701	02021870	Res F C 4.5K 10% 1/4W		11000120	
	02041870			24001100	Socket tube octal
	02061870			24001770	Socket tube 9 prong
R702	02032050	Res F C 250K 10% 1/4W		24001150	Socket tube octal
	02042050			24001160	Socket tube 6 prong
	02052050			24001180	Socket tube 7 prong
R703	02032390	Res F C 470K 10% 1/4W		25000260	Mounting capacitor
	02042390			25000481	Bracket transformer
	02052390			25000581	Support capacitor
R704	02021720	Res F C 470 ohms 10% 1/4W		25000591	Support resistor
	02041720			27000600	Clamp tube
	02051720			28000620	Strain relief large
R705	02022130	Res F C 1 meg 10% 1/4W		41000401	Insulator standoff
	02042130			41000701	Insulator standoff
	02052130			41000761	Insulator standoff
R706	02027210	Res F C 47 ohms 10% 1W		42001851	Shield corona
R707	02101050	Res F W 47 ohms 10% 1/4W		42001441	Shield corona any
	02051610			43000101	Bushing standoff
	02061610			41000731	Plate insulation
R708	02100160	Res F W 15K 5% 10W		25000531	Bracket coil support
R711	01015610	Res F C 50K 20% 1W		26000592	Clip any tube contact
R712	02055610	Res F C 150K 10% 1W		26000632	Clip any tube contact
	02045010			42001821	Any shield base
	02055010			42001941	Eshield cover
R713	02019000	Res F W 2 meg 20% 5W		26000650	Clip tube contact
R714	02111920	Res F W 250 ohms 5% 20W			
R715	02036050	Res F C 150K 5% 2W			
R716	02101130	Res F W 100 ohms 10% 1/4W			
R717	Same as R705				

Late Model Sets

L702	21005221	Inductor Hor Size
S701	05002681	Switch 3 position

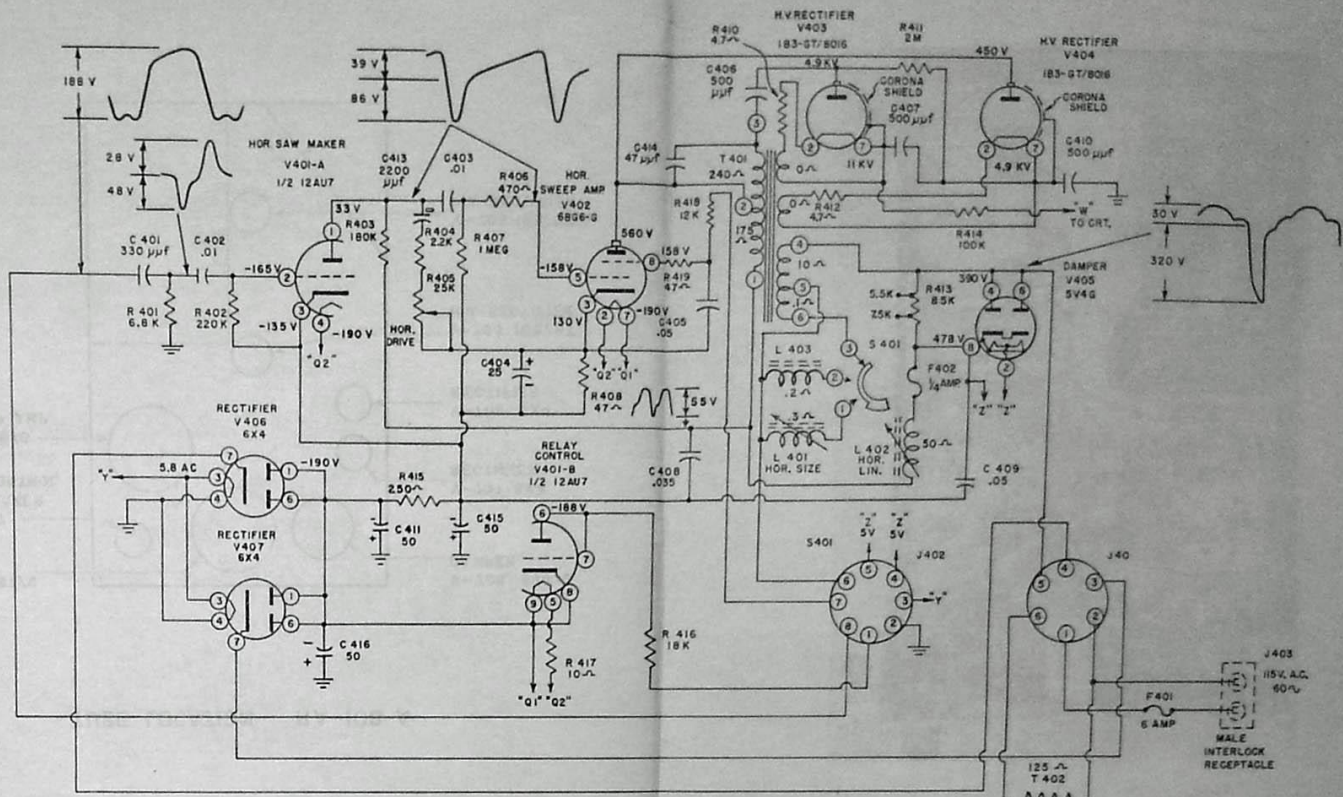
RA-108A POWER SUPPLY RESISTANCE MEASUREMENTS

All Readings to Ground

Tube	1	2	3	4	5	6	7	8	9
V701	110M	200K	110K	115K	122K	5.6K	5.6K	185K	150K
V702	Ne	140K	150K	8K	9M	11.2K	185K	81K	cap 100M
V703	Ne	Inf.	Ne	Ne	Ne	Ne	Inf.	Ne	cap Inf.
V704	Ne	Inf.	Ne	Ne	Ne	Ne	Inf.	Ne	cap 100M
V705	1.2M	6.2K	5.9M	1.2M	6.2K	5.9K	5.9K	5.9K	
V706	Ne	122M	122M	5.9K	122M	5.9K	122M	122M	
V707	2.7M	Ne	.08	0	Ne	6M	2.4		
V708	2.7M	Ne	.08	0	Ne	6M	2.7		

Note: All cables disconnected.

Instrument Used—BCA Model 105-A VoltOhmyst (for voltage and resistance)
All readings in ohms K = thousand M = million

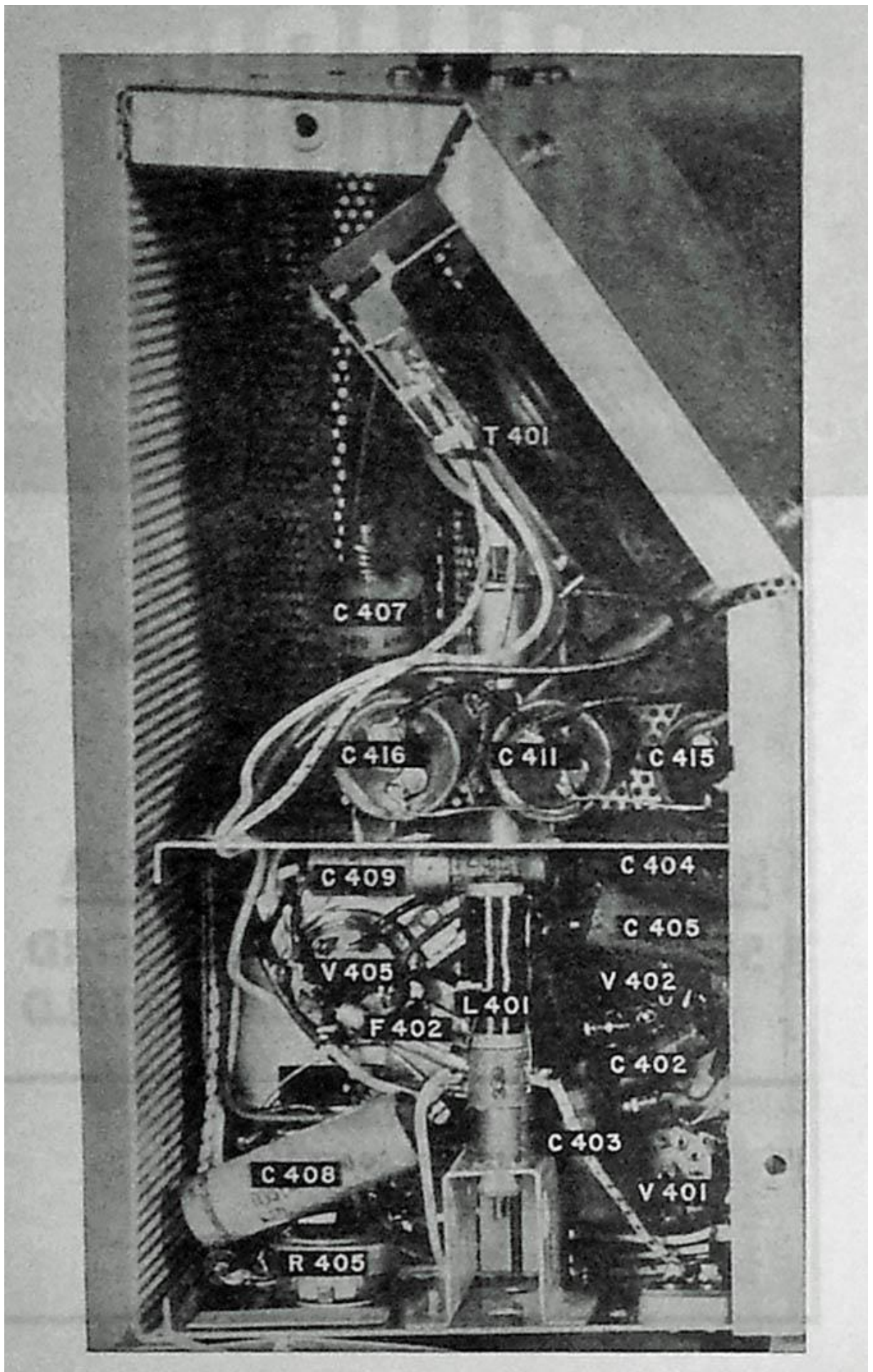


MODEL RA-105-B TELESET
FLYBACK POWER SUPPLY CHASSIS

Issue No. 3 - 4/27/49

6.3 V
1.2 A
.3 A

Note
The upper portion of the waveform shown
for the plate circuit of V405 is subject
to variations between sets.



RA-105B POWER SUPPLY RESISTANCE MEASUREMENTS

All Readings to Ground

Tube	1	2	3	4	5	6	7	8	9	Cap
V401	Inf	2M	2M	Fl	Fl	Inf	Inf	2M	Fl	
V402	Inf	Fl	2M	7.3K	Inf	40M	Fl	Inf		
V403	Ne	Fl	Ne	Ne	Ne	Ne	Fl	Ne		Inf
V404	Ne	Fl	Ne	Ne	Ne	Ne	Fl	Ne		Inf
V405	Ne	Fl	Ne	Inf	Ne	Inf	Ne	Inf		
V406	2M	Inf	Fl	Fl	Inf	2M	Inf			
V407	2M	Inf	Fl	Fl	Inf	2M	Inf			

Note: All cables disconnected.

POWER SUPPLY PARTS LIST RA-105B

Date of Issue 11/4/49

Abbreviations used:

O Composition
Cap Capacitor
Ce Ceramic

E Electrolytic
Elec Electronic
F Fixed

Pa Paper
Res Resistor
W Wire Wound

Unless otherwise stated, the tolerance shown is plus and minus of the indicated value. Where two or more part numbers are shown, the second and third numbers, if any, are alternate parts.

Symbol No.	Part No.	Description	Symbol No.	Part No.	Description
C401	03020180	Cap M 330 mmf 10% 500V	R414	02055010	Res F C 100K 10% 1W
C402	03001450	Cap Pa .01 mf 25% 400V		02045010	
C403	03012540	Cap Pa .01 mf 25% 600V		02055010	
C404	03006040	Cap E 25 mf 50V	R415	02119050	Res F W 600 ohm 5% 20W
C405	03015370	Cap Pa .05 mf 25% 600V	R416	02036780	Res F C 18K 5% 2W
C406	03014410	Cap Ce 500 mmf 10KV	R417	02031530	Res F C 10 ohm 10% 1/4W
C407	Same as C406			02051530	
C408	03014060	Cap Pa .035 mf 10% 1000V	R418	02111020	Res F W 12K 5% 5W
C409	03015650	Cap Pa .05 mf 10% 1000V	R419	02031610	Res F C 47 ohm 10% 1/4W
C410	Same as C406			02101050	
C411	03016920	Cap E 50 mf 250V		02051810	
C412	03029050	Cap M 2200 mmf 10% 500V	S401	02003431	Switch 3 position
C414	03015390	Cap Ce 47 mmf 20% 5KV	T401	20004251	Transformer bar cut
C415	Same as C411		T402	20004331	Transformer fil
C416	Same as C411		V401	25000130	Tube elec 12AU7
F401	11000630	Fuse C amp 250V	V402	25000140	Tube elec 6DG5G
F402	11001100	Fuse 1/4 amp 250V	V403	25000150	Tube elec 1B3 GT/2010
I401	21004711	Inductor Hor Size	V404	Same as V403	
I402	21004850	Inductor Var 5.5/20 MH	V405	25000160	Tube elec 5V4G
I403	21004702	Inductor Hor Size	V406	25000170	Tube elec 6X4
R401	02031870	Res F C 6.8K 10% 1/4W	V407	Same as V406	
	02041870			34501100	Socket tube octal
	02051870			34001180	Socket tube 7 prong
R402	02032050	Res F C 220K 10% 1/4W		34001770	Socket tube 9 prong
	02042050			34001150	Socket tube octal
	02052050			34001160	Socket tube 6 prong
R403	02037020	Res F C 180K 5% 2W		25000131	Bracket coil support
R404	02031810	Res F C 2.2K 10% 1/4W		25000260	Mounting capacitor
	02041810			34000761	Clip spring
	02051810			37000600	Clamp tube
R405	01810600	Res V C 25K 20% 2W		41000401	Insulator standoff
R406	02031780	Res F C 470 ohm 10% 1/4W		34001931	Clip axy tube contact
	02041780			34001941	Clip axy tube contact
	02051780			34001961	Clip spring cap
R407	02032120	Res F C 1 meg 10% 1/4W		28001951	Clip spring
	02042120			42001531	Shield cover
	02052120			42001351	Shield corona
R408	02037010	Res F C 47 ohm 10% 2W		42001441	Corona shield axy
R410	02100010	Res F W 4.7 ohm 10% 1/4W		35000551	Support cap
R411	02010200	Res F W 2 meg 20% 5W		41000702	Insulator standoff
R412	Same as R410			34000292	Support resistor
R413	02010001	Res F W 2.2K Tap 20W		50129001	Cable axy

TUBE LOCATION RA-105-B

