

DUMONT

First with the Finest in Television

SCHEMATIC DIAGRAM

for

TELESET MODEL

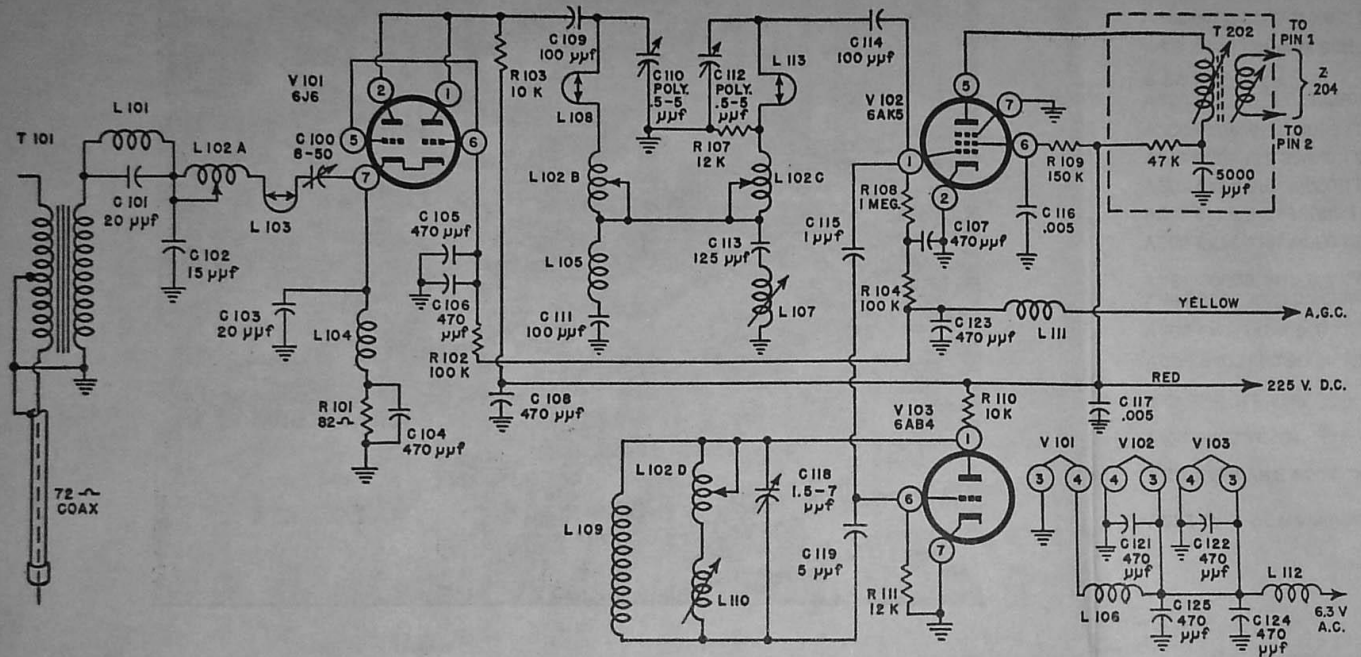
RA-111A

Putnam

Guilford

**ALLEN B. DU MONT LABORATORIES, INC.
TELESET SERVICE CONTROL DEPT.
MARKET STREET, EAST PATERSON, NEW JERSEY**

**NOT TO BE REPRODUCED WITHOUT THE CON-
SENT OF ALLEN B. DU MONT LABORATORIES, INC.**



R.F. ASSEMBLY
(FOUR CIRCUIT BOTTOM COUPLED INPUTUNER)

RF TUNING ASSEMBLY PARTS LIST

Date of Issue April 7, 1950

89003301 Inputuner Assembly

Symbol No.	Part No.	Description	Symbol No.	Part No.	Description
C100	03017590	Cap V Ce 8/50 mmf 350V	L105	21005731	Coil Bandpass Coup
C101	03015790	Cap F Ce 20 mmf 10%	L106	21005421	Inductor Filter
C102	03012050	Cap F Ce 15 mmf 10%	L107	21005521	Inductor Bandwidth
	03012180		L108	21005722	Inductor End
C103	Same as C101		L109	21005131	Coil Shunt
C104	03015470	Cap F Ce 470 min 350V	L110	21005111	Inductor End Osc
C105	Same as C104		L111	Same as L105	
C106	Same as C104		L112	Same as L108	
C107	Same as C104		L113	Same as L108	
C108	03016480	Cap F Ce 470 min 600V	R101	02031640	Res F 82 10% 1/2 W
C109	03016700	Cap F Ce 100 mmf 500V	R102	02032010	Res F 100K 10% 1/2 W
C110	03016650	Cap V P .5/5 mmf 500V	R103	02037890	Res F 10K 10% 2W
C111	Same as C109		R104	02057890	Same as R102
C112	Same as C110		R107	02031900	Res F 12K 10% 1/2 W
C113	03018020	Cap F Mica 125 mmf	R108	02041900	Res F 1 meg 10% 1/2 W
C114	Same as C109		R109	02032130	Res F 150K 10% 1/2 W
C115	03012150	Cap F C 1 mmf 500V	R110	02042130	Same as R103
C116	03015610	Cap F Ce 5000 mmf 450V	R111	02032030	Same as R107
C117	Same as C116		R112	02042030	
C118	03016870	Cap V Ce 1.5/7 N800	R113	Same as R103	
C119	03014730	Cap F Ce 5 mmf NPO	T101	20004592	Ant Trms Asy
C121	Same as C104		T202	20004951	IF Link Asy
C122	Same as C104		V101	25000190	Tube 6J6
C123	Same as C104		V102	25000130	Tube 6AK5
C124	Same as C104		V103	25001760	Tube 6AB4
C125	Same as C104		V104	09003780	Connector Male
L101	21005801	Coil Antenna		42001250	Shield Tube
L103	21005721	Inductor End		42002860	Shield Tube
L104	21005741	Coil Antenna			

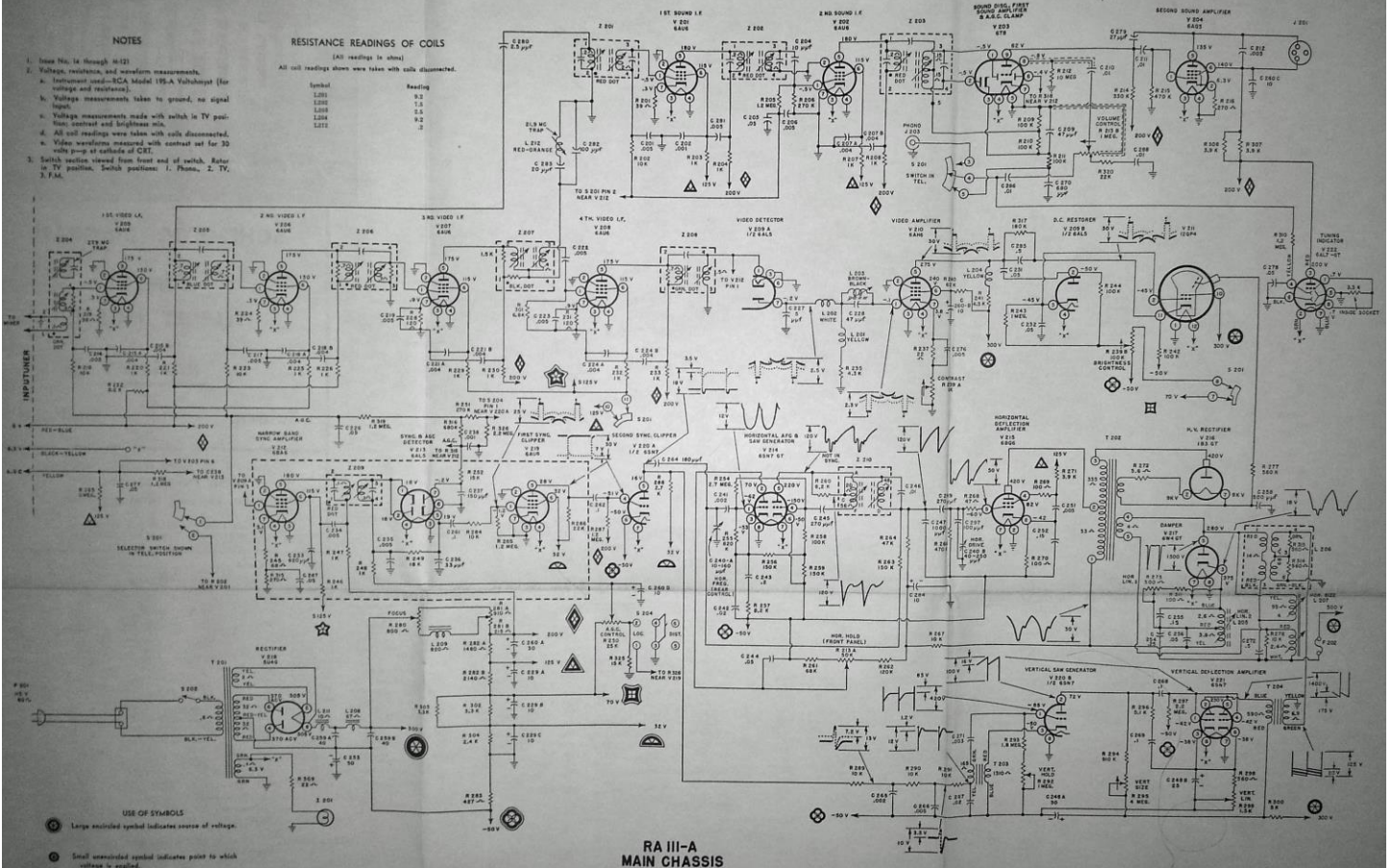
NOTES

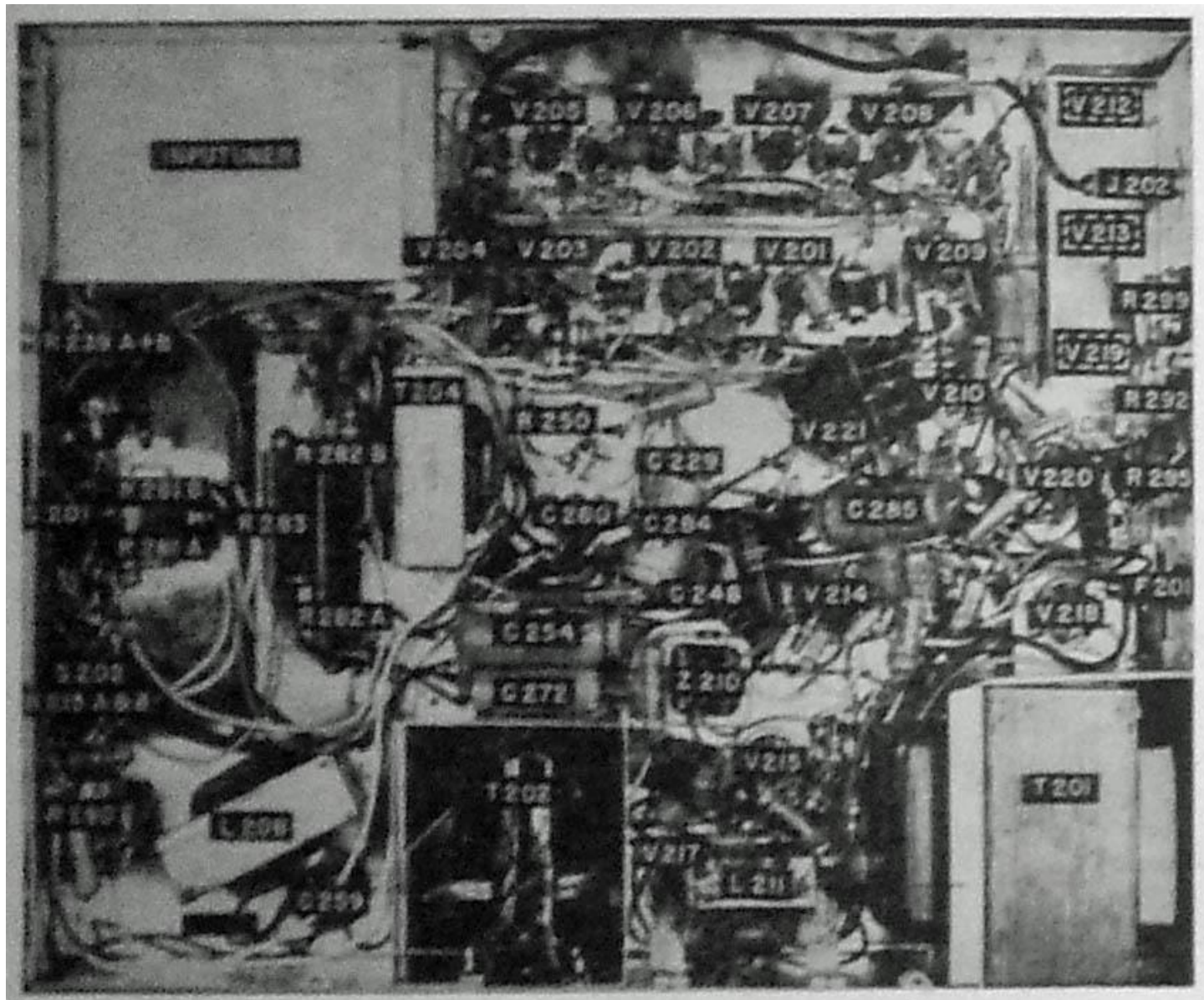
1. Issue No. 14 through 16121
2. Voltage, resistance, and wattmeter measurements.
 - a. Instrument used—RCA Model 195-A Voltmeter (for voltage and resistance).
 - b. Voltage measurements taken to ground, no signal input.
 - c. Voltage measurements made with switch in TV position, contrast and brightness min.
 - d. All coil readings were taken with coils disconnected.
 - e. Video waveforms measured with contrast set for 30 volts-peak at cathode of CRT.
3. Switch section viewed from front end of switch. Rator in TV position. Switch positions: 1, Phono, 2, TV, 3, F.M.

RESISTANCE READINGS OF COILS

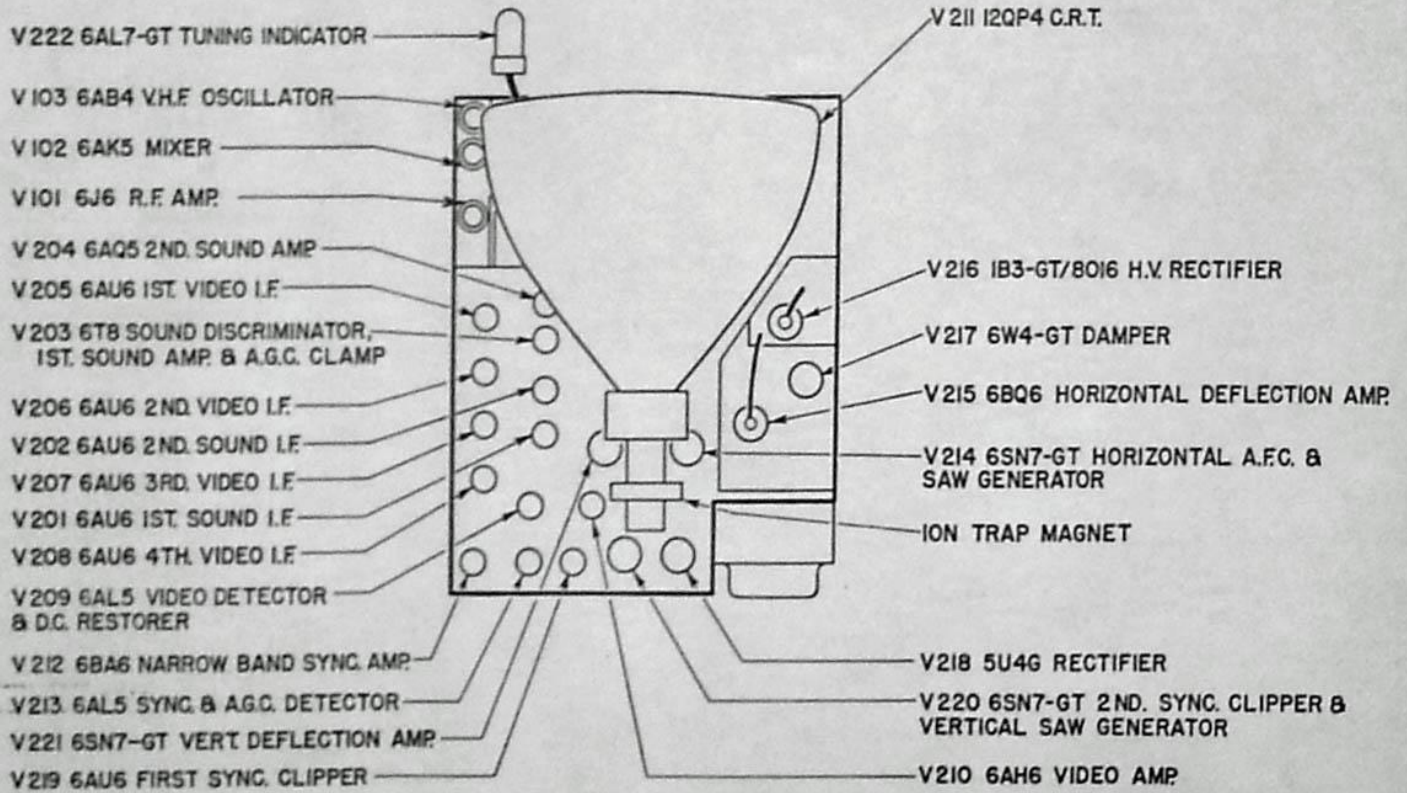
(All readings in ohms. All coil readings above were taken with coils disconnected.)

Symbol	Reading
L201	0.3
L202	1.5
L203	0.5
L204	0.2
L205	3





TUBE LOCATION RA-III A



RESISTANCE MEASUREMENTS — ALL READINGS TO GROUND RA-111A CHASSIS

TUBE	1	2	3	4	5	6	7	8
V201	1.6M	0	0	Fil.	8.2K	7K	39	
V202	270K	0	0	Fil.	8.2K	7K	0	
*V203	100K	100K	200K	Fil.	0	1.9M	0	10M
V204	470K	270	Fil.	0	9.5K	9.3K	N.C.	
V205	1.6M	0	0	Fil.	8.2K	18K	39	
V206	1.6M	0	0	Fil.	8.2K	18K	39	
V207	.5	0	0	Fil.	10K	7K	120	
V208	6.8K	0	0	Fil.	8.2K	7K	120	
V209	.5	105K	0	Fil.	1M	0	4.7K	
V210	4.7K	0	0	Fil.	12K	75K	1K	
*V211	0	1M						
V212	.5	0	0	Fil.	8.2K	7K	340	
V213	7.2K	7.2K	0	Fil.	27K	0	1M	
V214	1M	110K	310K	260K	310K	427	Fil.	0
†V215	N.C.	0	N.C.	10K	500K	500K	Fil.	527
**V216	N.C.	Inf.	Inf.	Inf.	N.C.	N.C.	Inf.	
V217	N.C.	N.C.	280K	280K	8K	280K	Fil.	0
V218	N.C.	8K	N.C.	470	N.C.	470	N.C.	8K
V219	1.2M	0	0	Fil.	27K	2.4K	0	
V220	1.8M-2.8M	1M-5M	625	1.2M	5K	427	Fil.	0
V221	2.3M	14K	1.7K	2.3M	14K	1.7K	0	Fil.
V222	3.3K	Fil.	7K	1.5M	0	0	0	3.3K
	9		10	11	12		**V216	†V215
*V203	350K	*V211	8.2K	70K	Fil.	Cap	265K	265K

Selector switch in "Television" position.

Instrument Used — RCA Model 195-A Voltohmmyst (for voltage and resistance).

All readings in ohms K= thousand M= million

Two readings for a given point indicate an adjustable resistance is in the measured circuit.