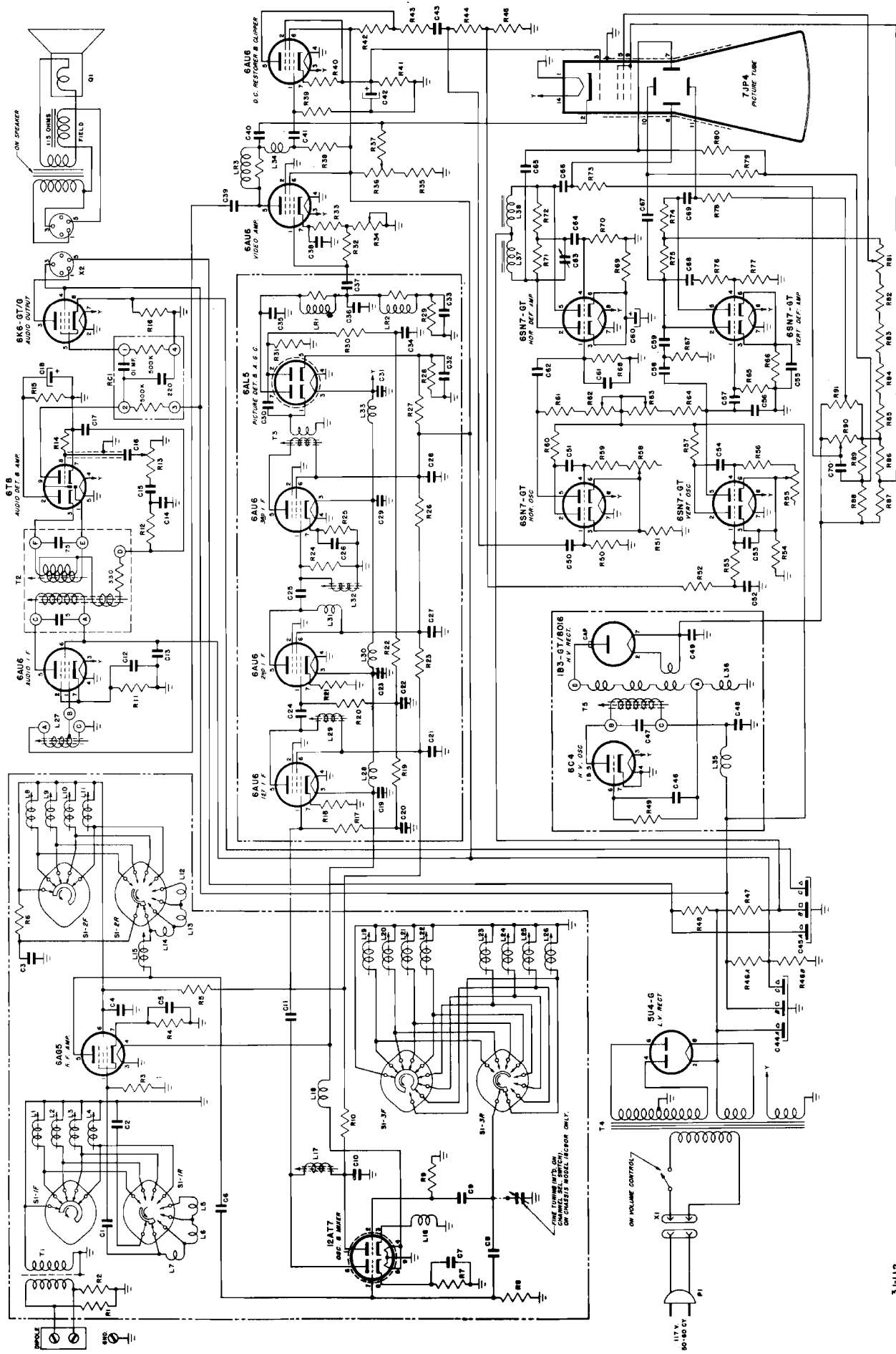


MODEL 7TV850, Ch. 18C90

www.ke3gk.com



MODEL 7TV850, Ch. 18990

ITEM	PART NO.	DESCRIPTION			
C1 C2 C6 C9	4-39	Capacitor, Ceramic	15		
C3 C3.6	4-35	"	10 (± 1.0 mmf)		
C4 C5 C7 C10		"	1500		
C19 C20 C22 C23	4-21	"	1.5 (± 0.1 mmf)		
C29 C30 C31	4-44	"	100		
C8	4-42	"	5000 mim 450V		
C11 C24 C25	4-42	"	2000		
C12 C13 C21	015-5	"	01 mf 200V		
C26 C27 C28	020-67	"	470		
C14	19-58	"	Mica		
C15 C16	4-23	"	Electrolytic		
C17	4-36	"	330 (± 10%)		
C18 C42 C60	5-88	"	5 (± 0.5 mmf)		
C32 C33 C35	4-38	"	0.5 mf 200V		
C33 C35	4-41	"	50		
C34 C37	017-9	"	2 (± 0.2 mmf)		
C38	017-8	"	0.5 mf 600V		
C39	19-62	"	Electrolytic		
C40 C70	19-63	"	40-10-10 mf 450V		
C41 C43 C57	020-60	"	330		
C44 a, b, c	021-20	"	1200 (± 10%)		
C46	017-4	"	0.05 mf 600V		
C47	5-94	"	0.05 mf 6000V		
C48	020-39	"	100		
C49	4-43	"	Mica		
C50 C51	016-6	"	Ceramic		
C52 C53	015-12	"	0.2 mf 400V		
C54	016-5	"	Paper		
C55	021-13	"	0.1 mf 400V		
C56	020-54	"	Mica		
C58	020-38	"	240 (± 5%)		
C59	017-5	"	100 (± 10%)		
C61	8-69	"	Paper		
C62	5-93	"	0.1 mf 600V		
C63	5-95	"	Trimmer		
C64	018-5	"	0.005 mf 6000V		
C65 C66	02-62	"	0.1 mf 1000V		
C67 C69	02-136	"	Resistor		
C68	02-52	"	270		
R1 R2	02-94	"	15K		
R3	02-65	"	1500		
R4	02-150	"	300		
R5 R6 R10	02-129	"	10K		
R7	13-41	"	82		
R8 R12	02-255	"	Volume Control 500K		
R9	02-146	"	Resistor 10 Meg		
R11 R18 R21 R25	03-72	"	470		
R13	02-149	"	33K		
R14	02-174	"	120K		
R15	02-132	"	12K		
R16	02-45	"	100		
R17	02-125	"	8200		
R19 R22	02-184	"	2700		
R20	02-202	"	560K		
R23 R26	02-153	"	39K		
R24 R29 R49	02-213	"	1 Meg		
R27 R57 R59	13-49	"	Contrast Control 1K		
R28	02-115	"	Resistor 4700		
R30 R77	13-50	"	Brightness Control 25K		
R31	02-220	"	Resistor 1.5 Meg		
R32 R39	02-121	"	6800		
R33	02-90	"	1200		
R34	02-160	"	56K		
R35 R47 R50	02-185	"	220K		
R36					
R37					
R38					
R40					
R41					
R42					
R43					
R44 R45					
R46 a & b					
R48					
R51 R54 R69					
R55					
R56					
R58					
R60					
R61					
R62					
R63					
R64					
R65					
R66					
R67					
R68 R74 R75					
R70					
R71					
R72					
R73 R80 *					
R76					
R78 R79 *					
R81 R90 R91					
R82 R83 R86 R87 *					
R84 R85 R88 R89 *					
L1					
L2					
L3					
L4					
L5 L6 L7					
L8					
L9					
L10					
L11					
L12 L13 L14					
L15					
L16 L31					
L17 L29 L32					
L18 L28 L30 L33					
L19					
L20					
L21					
L22					
L23 L24 L25					
L26					
L27					
L34					
L35					
L36					
L37 L38					
LR1					
LR2					
LR3					
PC1					
T1					
T2					
T3					
T4					
T5					
X1					
X2					
Q1					
S1					