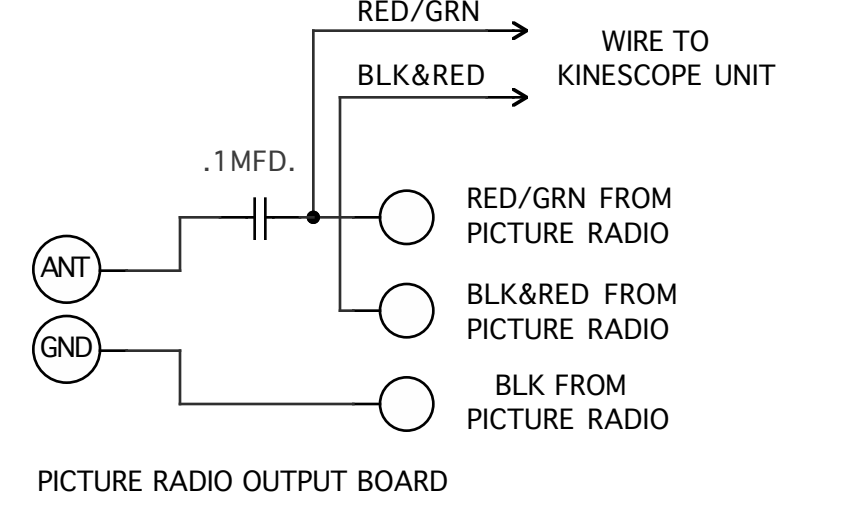
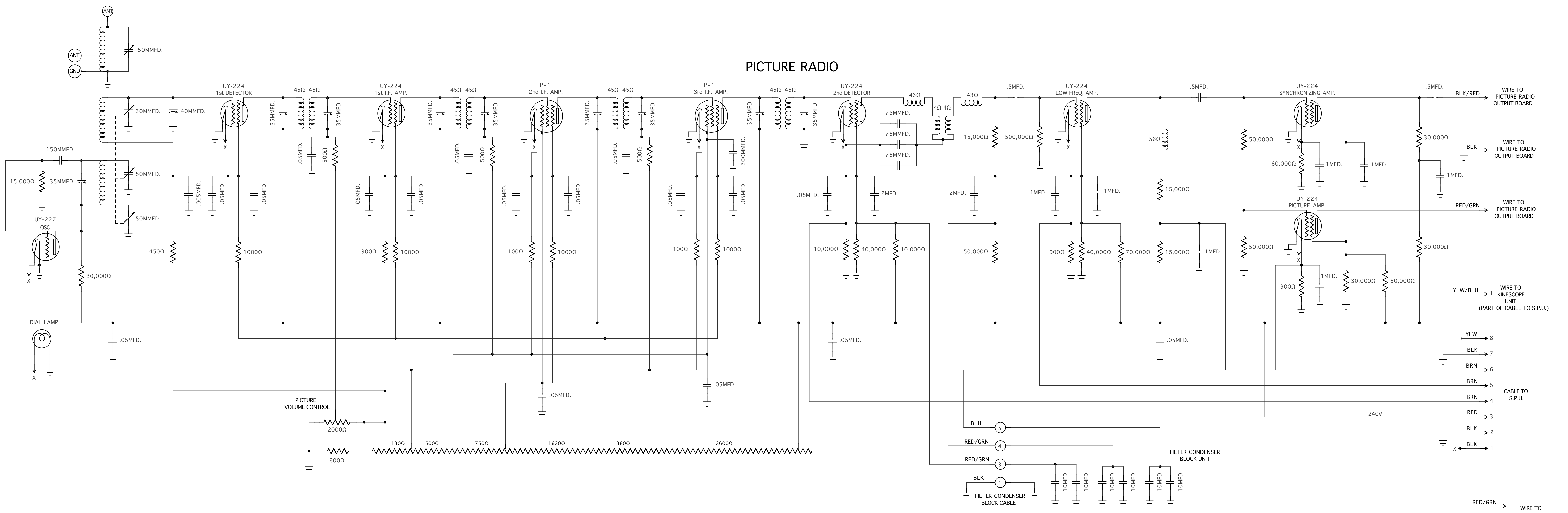
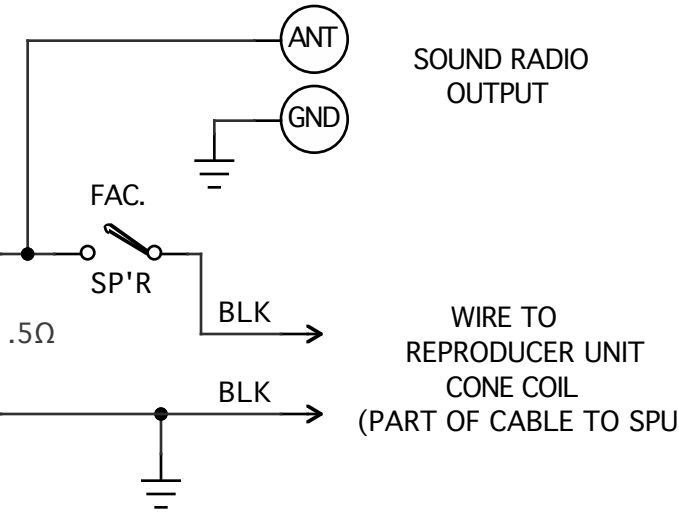
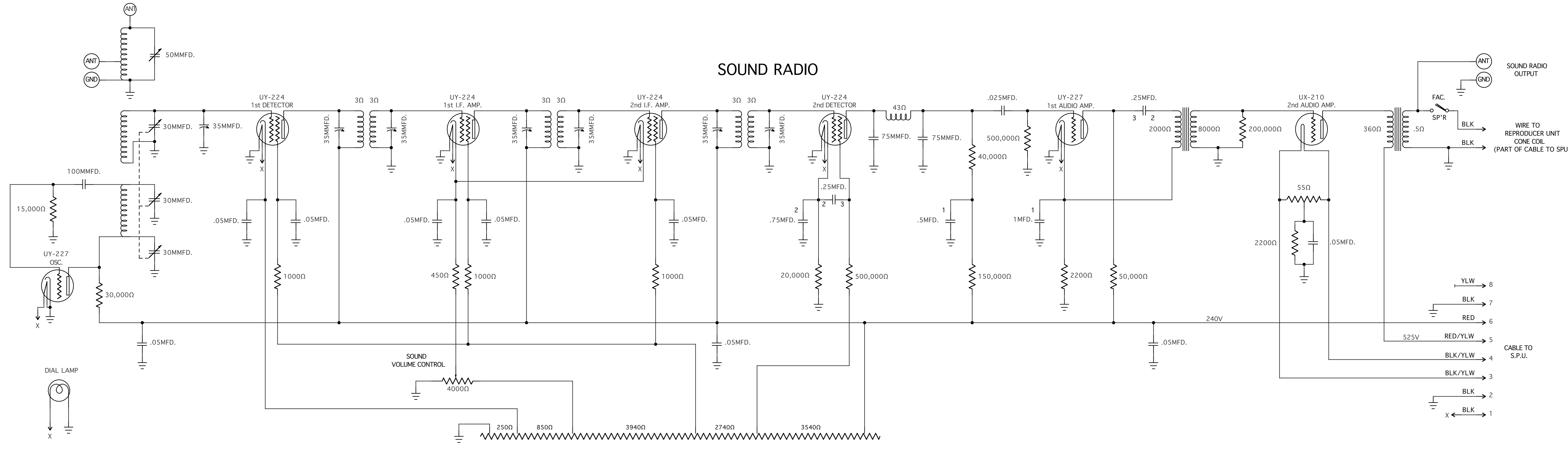


PICTURE RADIO



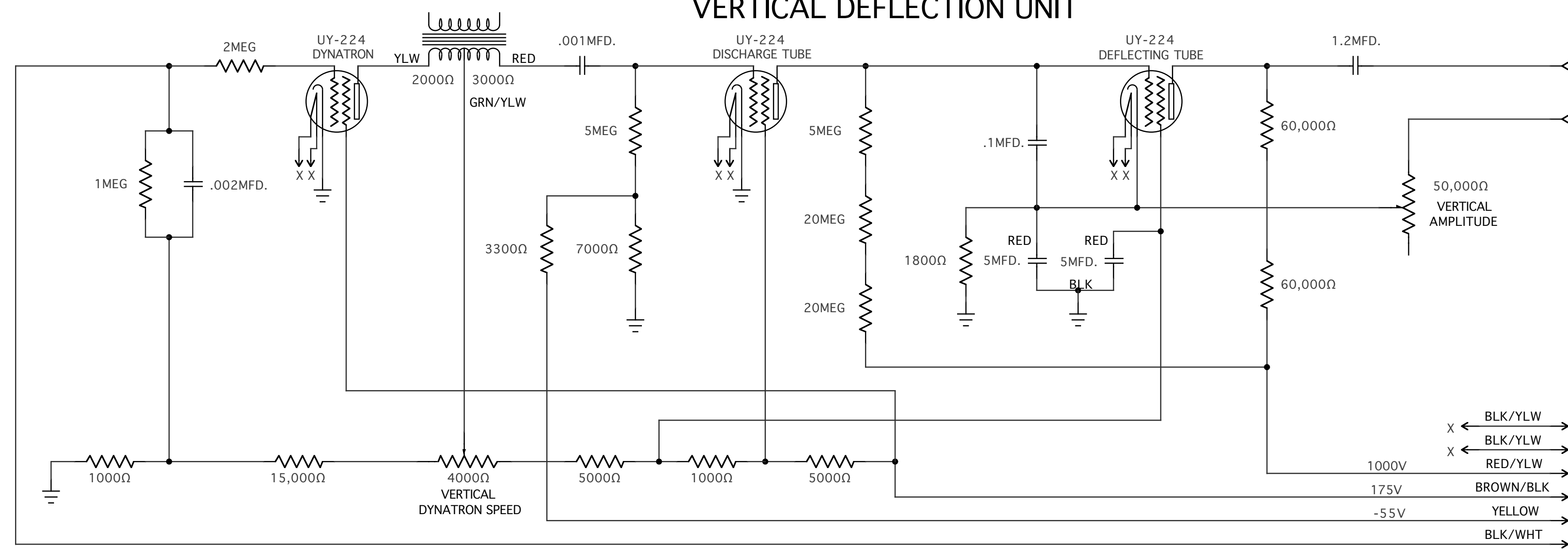
SOUND RADIO



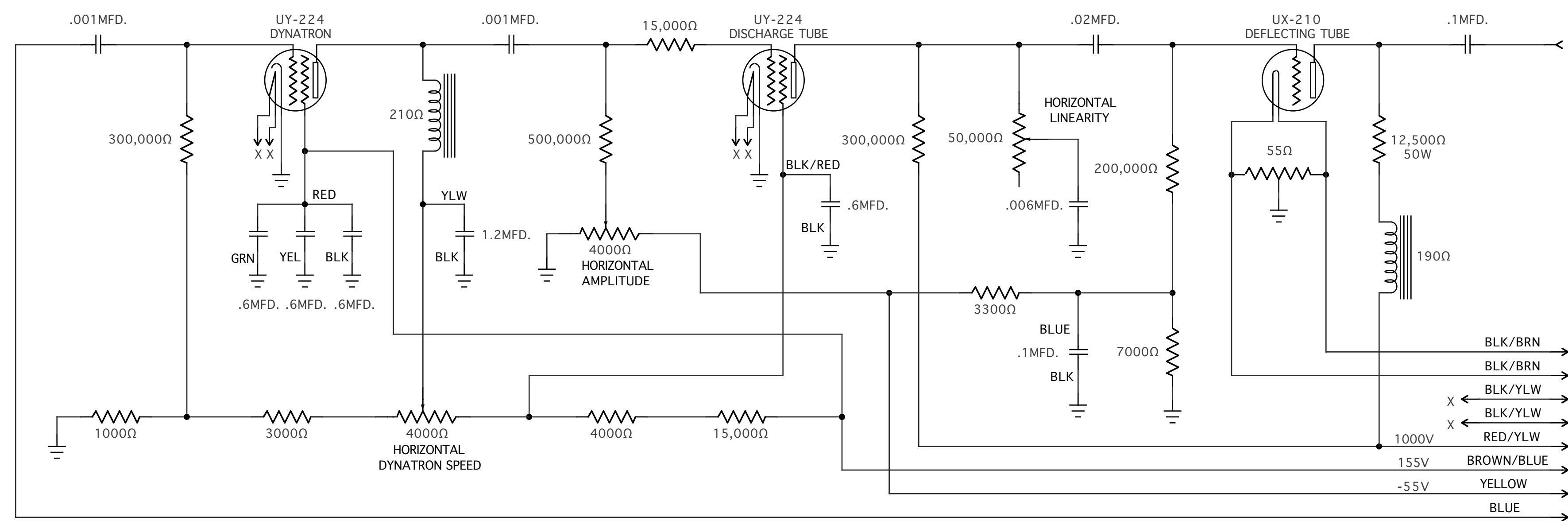
NO.	REVISIONS

CIRCUIT DIAGRAMS		TELEVISION RECEIVER	
DRAWN BY	B. E. SCHUTZ	AP. MFG	
APPROVED	<i>[Signature]</i>	ISSUED	7-1-31
ENGINEERING DEPARTMENT		RCA Victor Company, Inc.	
CAMDEN, N.J.		T.V.-1016	

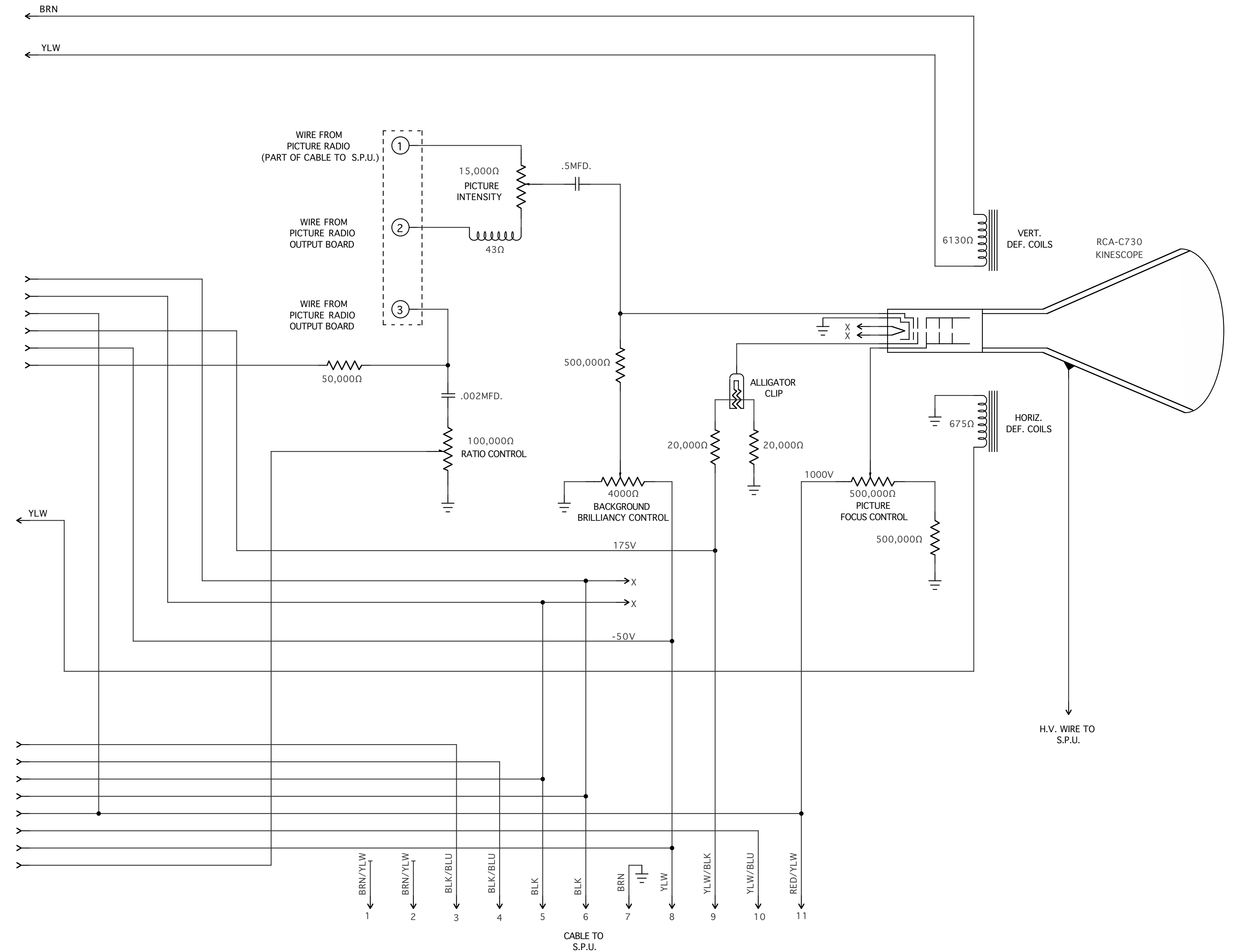
VERTICAL DEFLECTION UNIT



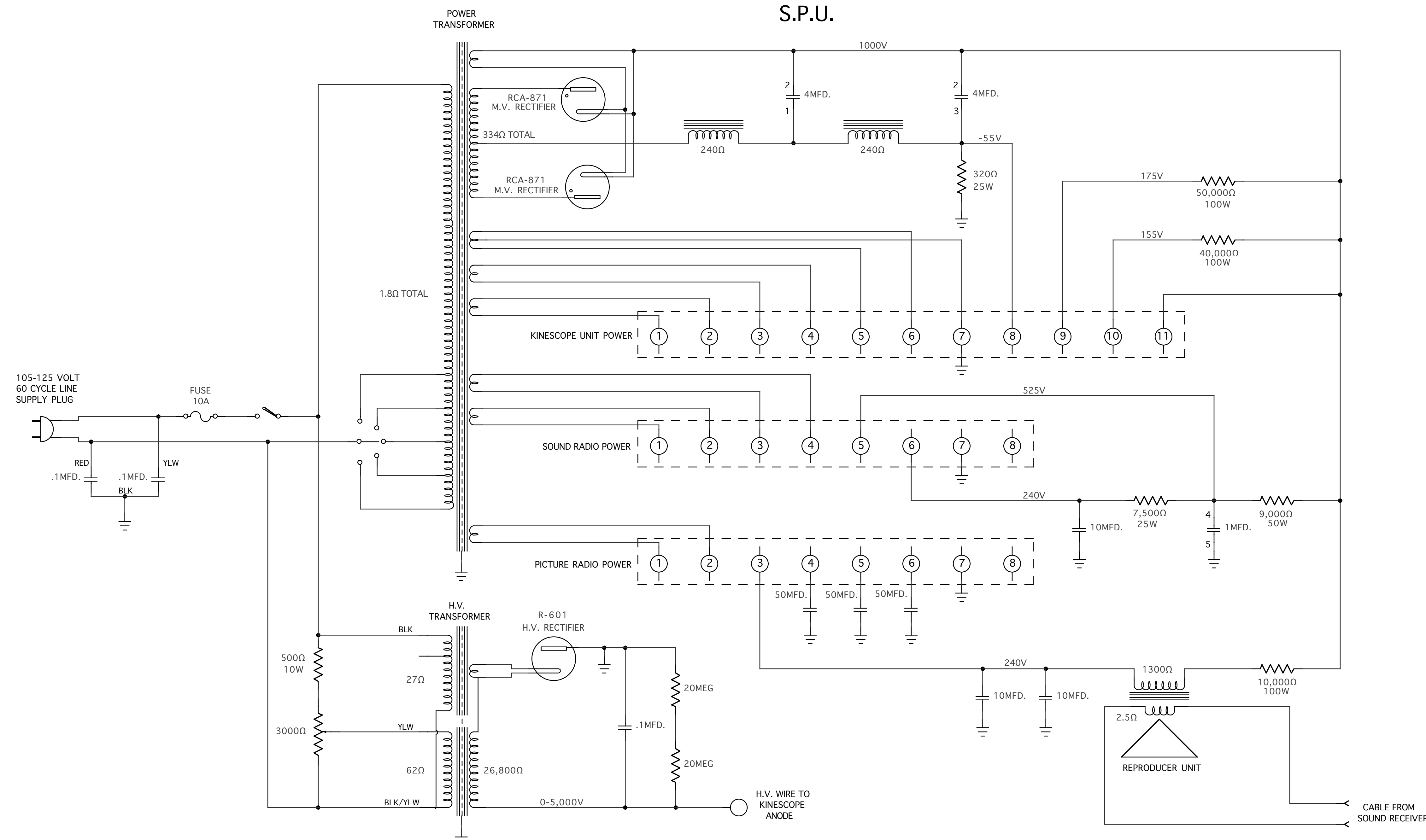
HORIZONTAL DEFLECTION UNIT



KINESCOPE UNIT



S.P.U.



NO.	REVISIONS

CIRCUIT DIAGRAMS TELEVISION RECEIVER	
DRAWN BY: B.E. SCHUTZ	AP. MFG. ISSUED: 7-1-31
APPROVED: [Signature]	
ENGINEERING DEPARTMENT RCA Victor Company, Inc. CAMDEN, N.J.	
TV-1016	