

# Television Receivers

FROM one viewpoint, television receiver efficiency must be ten times as great as a broadcast receiver, since it must cover a frequency band ten to twenty times as wide. In other words, extreme care must be taken in the design and construction of a receiver specifically intended to receive television signals.

It would be "fine business" if every experimenter had available a calibrated oscillator with which he could check his completed instrument. However, in lieu of this he will need to depend upon his judgment of the pictures he receives.

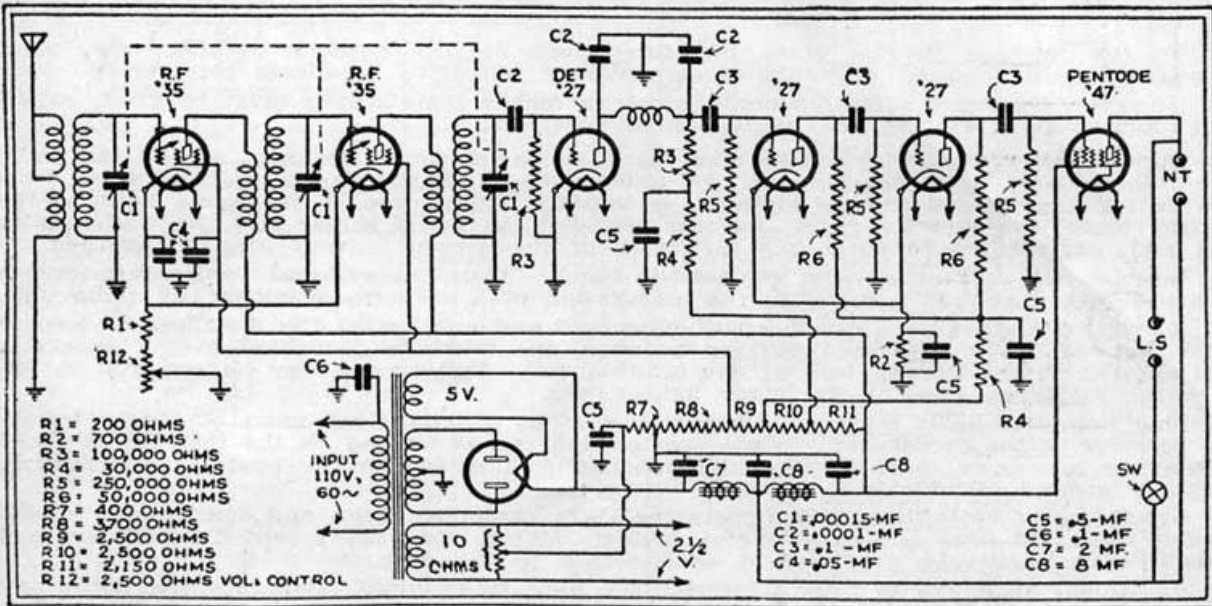


Fig. 57. A Direct-Coupled Television Receiver. Use only accurate, high-watt resistors.

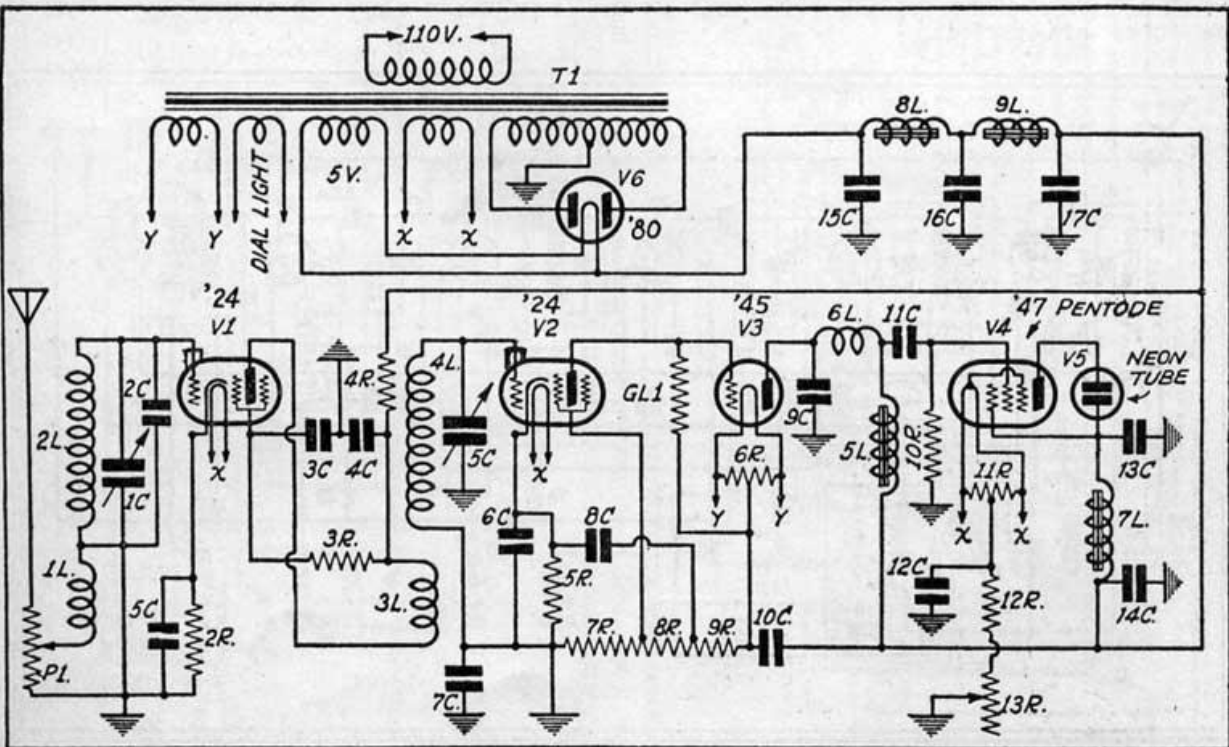


Fig. 58. A Simple Television Receiver. High quality is obtained by resistance coupling.