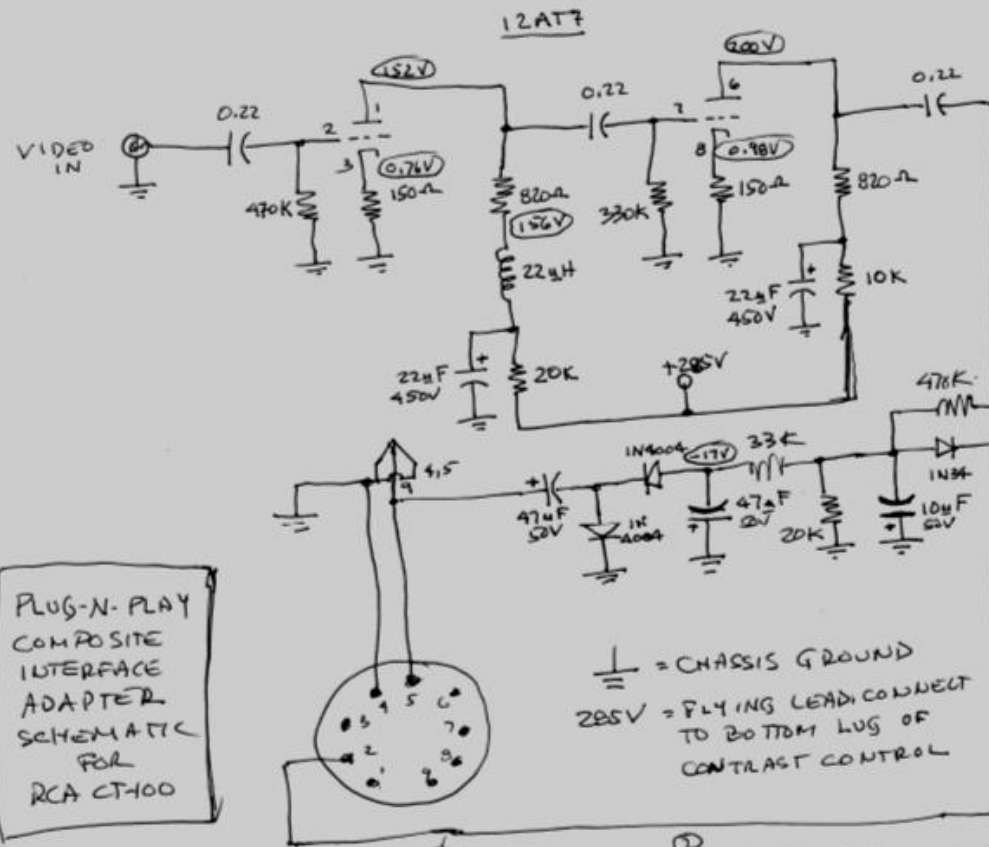


# Final Schematic

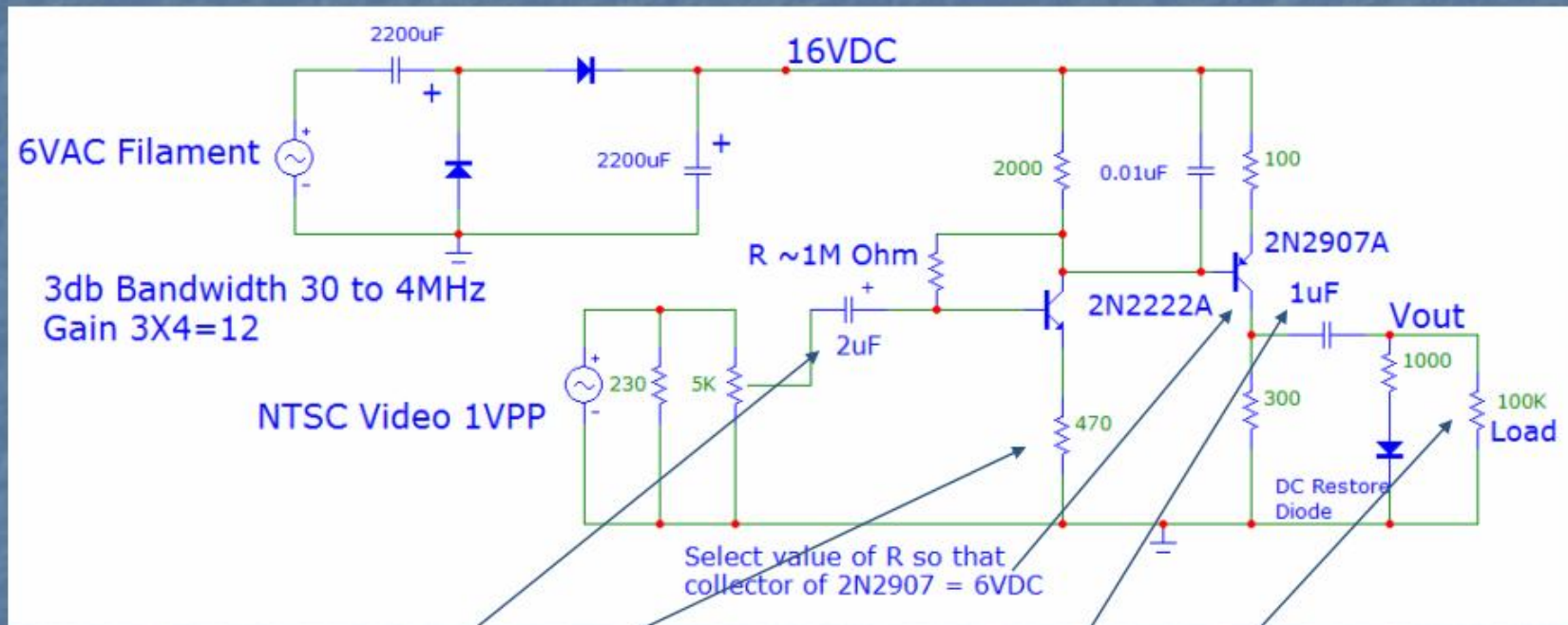


PLUG-N-PLAY  
COMPOSITE  
INTERFACE  
ADAPTED  
SCHEMATIC  
FOR  
RCA CT100

⊥ = CHASSIS GROUND  
285V = FLYING LEAD, CONNECT  
TO BOTTOM LUG OF  
CONTRAST CONTROL

- NOTES:
- ① SOCKET SAVER BOTTOM (PIN) VIEW. PIN 2 IS REMOVED.
  - ② REPLACE FIRST VIDEO AMPLIFIER WITH SOCKET SAVER. INSERT 6CL6 IN SOCKET SAVER.
  - ③ LOW FREQUENCY MOD VERSION. (L+MOR)
- PLDEKENSIS  
11-28-09

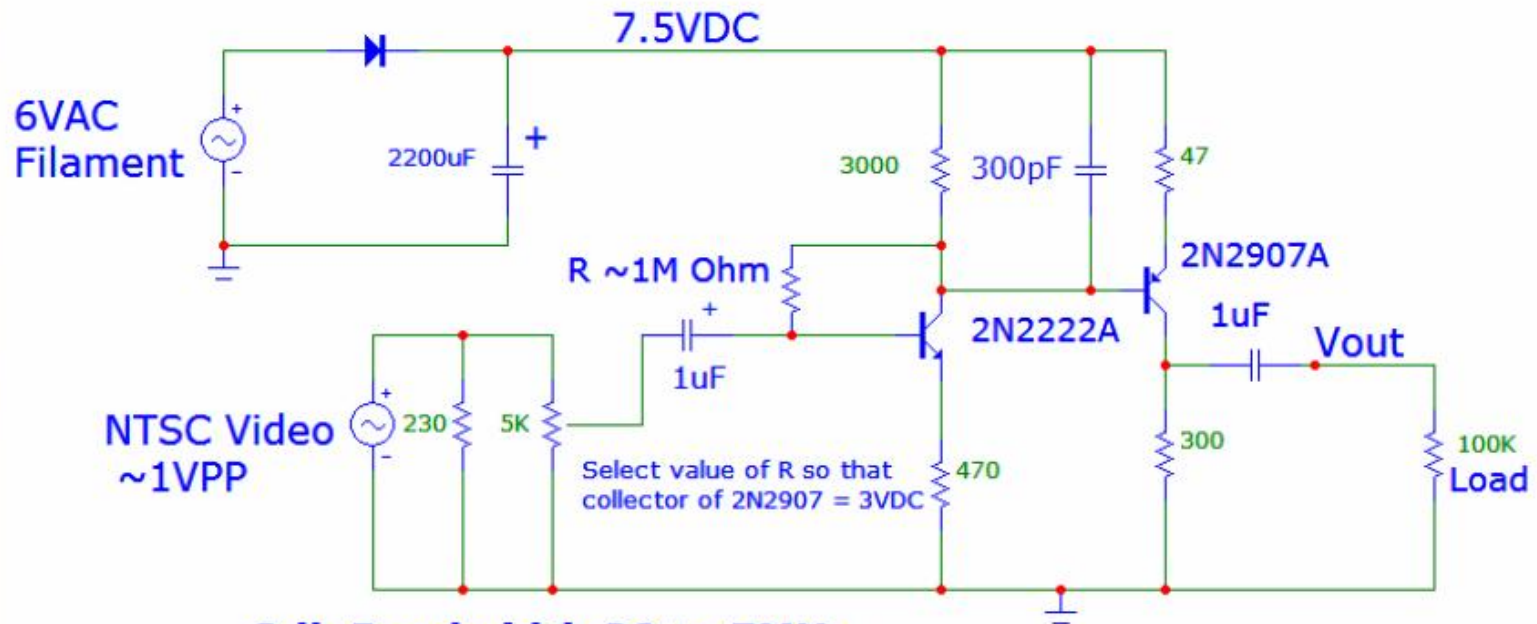
# 12VPP Transistor Composite Video Amplifier



RC time constant =  $2\mu\text{F} \times 470 \text{ ohms} \times H_{fe} = 0.094 \text{ seconds}$

RC time constant =  $1\mu\text{F} \times 100\text{K ohms} = 0.1 \text{ seconds}$

# Lower Voltage (6VPP) Video Amplifier Used in Admiral 10 inch B&W TV



**3db Bandwidth 30 to 5MHz**  
**Voltage Gain 6X6=36**