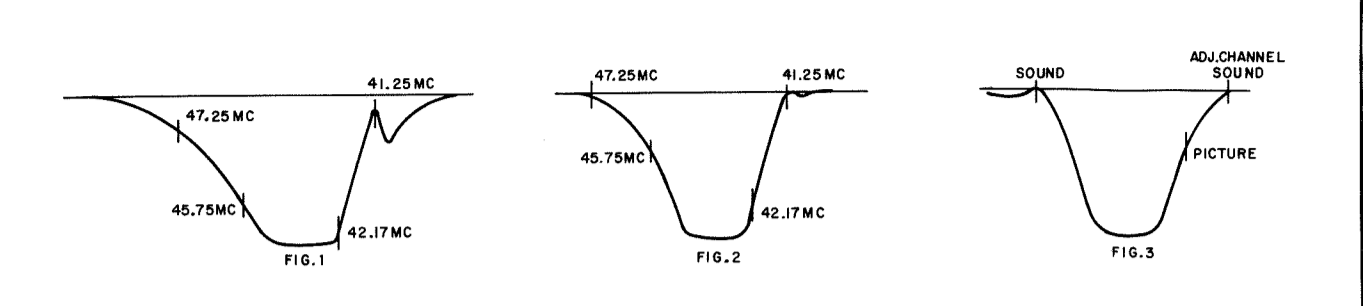
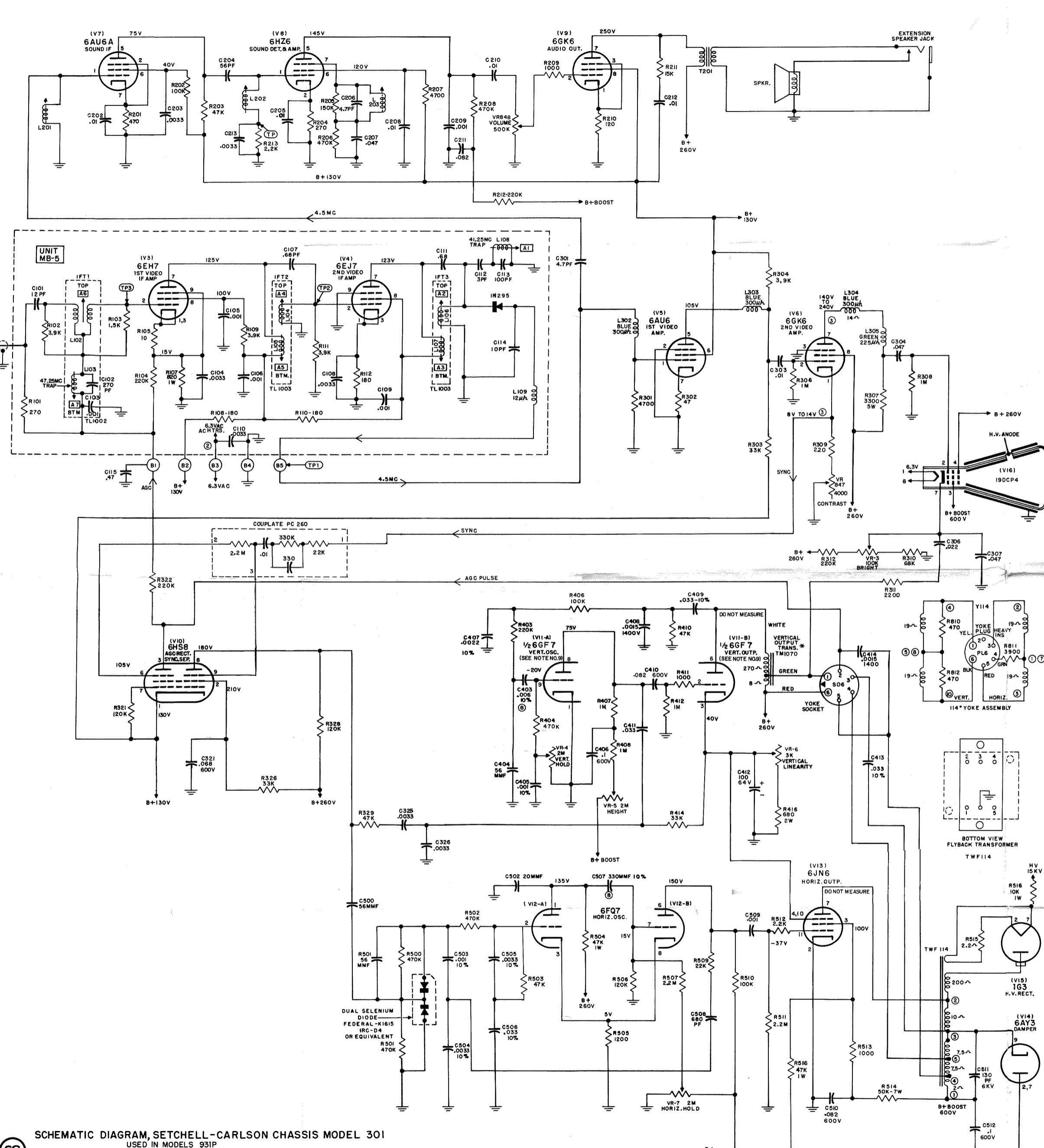


- NOTES**
- IN MAINTENANCE OF THIS RECEIVER, REPLACE PARTS ONLY WITH EQUIVALENT TYPES AND OBSERVE ORIGINAL PARTS PLACEMENT AND LEAD DRESS.
 - FILAMENT WIRING HAS BEEN OMITTED FROM THE DIAGRAM FOR CLARITY.
 - ALL VOLTAGES SHOWN ARE APPROXIMATE AND WILL VARY WITH TUBE CHARACTERISTICS, PARTS TOLERANCE AND CONTROL SETTINGS.
 - ALL DC VOLTAGES ARE READ BETWEEN CHASSIS AND THE DESIGNATED POINTS. VTVM USED FOR ALL MEASUREMENTS. READINGS ARE FOR TV OPERATION ONLY.
 - MEASUREMENTS MADE WITH ALL CONTROLS ADJUSTED FOR NORMAL PICTURE, LINE VOLTAGE 120V, ZERO SIGNAL INPUT, UNLESS OTHERWISE INDICATED.
 - ALL RESISTORS ARE 1/2 WATT - 10% TOLERANCE UNLESS OTHERWISE INDICATED. BY KILOHM (K), OHM (OH), BY MEGOHMS, DC RESISTANCE OF COILS UNDER ONE OHM IS NOT SHOWN.
 - ALL CAPACITORS SHOWN IN MFD, UNLESS OTHERWISE LISTED. ALL TUBULAR CAPACITORS ARE 400 WV, MICA AND CERAMIC 500 WV UNLESS OTHERWISE SPECIFIED.
 - MUST BE ZERO-DRIFT SILVER-MICA OR TUBULAR CAPACITOR.
 - PREVIOUS MODELS USED 6E7. REPLACE WITH ORIGINAL TYPE.

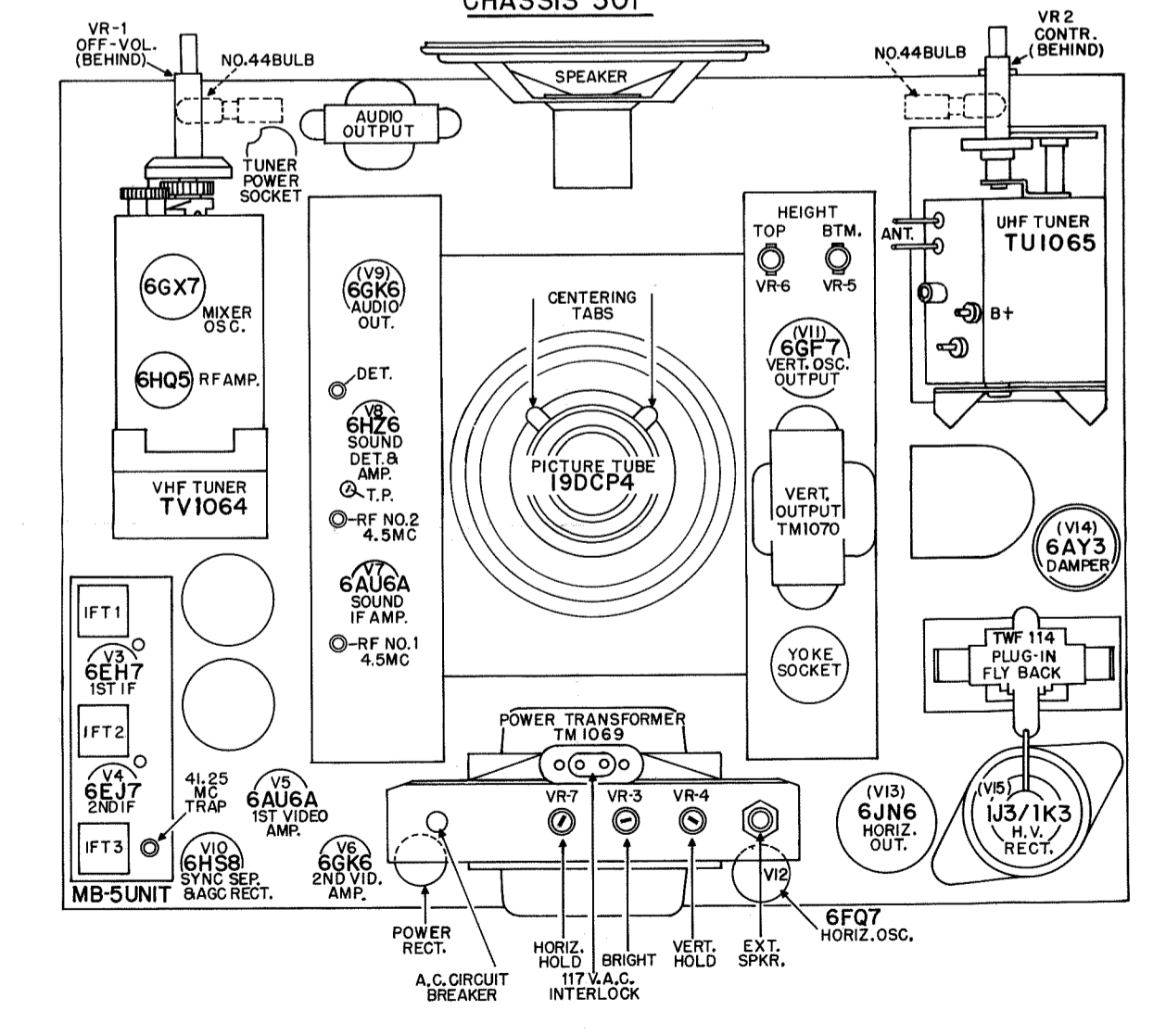


VIDEO IF ALIGNMENT PROCEDURE: UNIT MB-5

TEST EQUIPMENT: VHF-IF SWEEP AND MARKER GENERATORS; OSCILLOSCOPE; BIAS SUPPLY. SWEEP GENERATOR MUST BE PROPERLY TERMINATED IN ACCORDANCE WITH EQUIPMENT MANUFACTURER'S INSTRUCTIONS.

- DISABLE HORIZONTAL SWEEP BY REMOVING DAMPER TUBE. DISCONNECT SHIELDED IF LEAD FROM TUNER OUTPUT. APPLY 6 VOLT NEGATIVE BIAS TO AGC TERMINAL B-1. CONNECT OSCILLOSCOPE, THROUGH A 10K RESISTOR, TO TP1 (TERMINAL B-5).
- CONNECT TERMINATED OUTPUT OF SWEEP GENERATOR, THROUGH A .001 MFD CERAMIC CAPACITOR, TO TP-2. IN THIS AND IN ALL FOLLOWING STEPS THE GENERATOR OUTPUT LEVEL MUST BE ADJUSTED TO MAINTAIN A PATTERN AMPLITUDE OF 1.5 VOLTS PEAK-TO-PEAK ON THE OSCILLOSCOPE. ADJUST A2, A3, AND THE 41.25 MC TRAP A-1 TO OBTAIN THE RESPONSE CURVE OF FIGURE 1.
- CONNECT THE SWEEP GENERATOR, THROUGH CAPACITOR, TO TP-3. ADJUST A4 AND A5 FOR BEST GAIN AND BANDWIDTH. THE CURVE SHOULD APPROXIMATE FIGURE 2.
- CONNECT SHIELDED IF CABLE TO TUNER OUTPUT. FEED 47.25 MC SIGNAL TO TUNER MIXER GRID AT TP-4. ADJUST 47.25 MC TRAP FOR MINIMUM SIGNAL OUTPUT. THE TRAP IS THE BOTTOM CORE OF IFT-1.
- CONNECT SWEEP GENERATOR, THROUGH BALANCED 300 OHM TERMINATION, TO ANTENNA INPUT TERMINALS. TURN TUNER AND SWEEP GENERATOR TO CHANNEL 10. ADJUST FINE-TUNING CONTROL TO PLACE IN-CHANNEL SOUND MARKER IN THE TRAP SLOT. ADJUST A6 AND A8 TO OBTAIN THE RESPONSE CURVE OF FIGURE 3. RE-ADJUST A4 IF NECESSARY TO PRODUCE PROPER CURVE.

CHASSIS AND TUBE DIAGRAM CHASSIS 301



SCHEMATIC DIAGRAM, SETCHELL-CARLSON CHASSIS MODEL 301
 USED IN MODELS 931P
 MANUFACTURED BY SETCHELL-CARLSON INC., ST PAUL, MINNESOTA 55112
 RELEASED AUG. 15, 1964
 REVISED AUG. 15, 1966